

**Service  
Manual  
1570  
Tractor**

9-79515

**Service  
Manual  
1570  
Tractor**

9-79515

All Binders  
4.75 in



Large Binder  
2.85 in

Small Binder  
1.63 in

<https://caseinservicemanual.com>

# TABLE OF CONTENTS

## 1570 TRACTOR

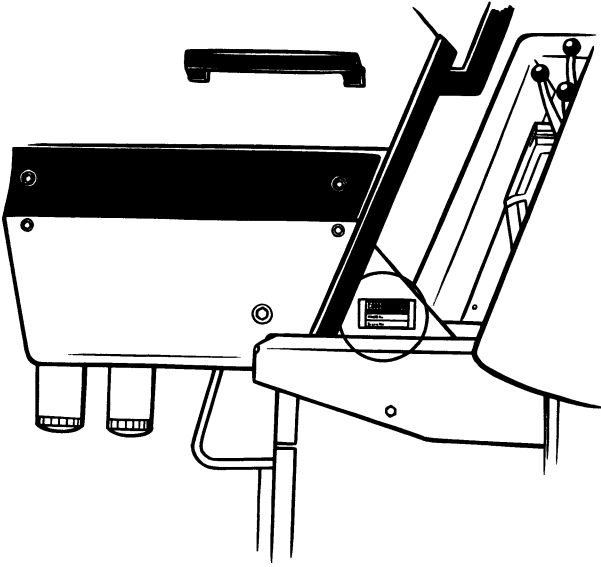
### SPIRIT OF '76 TRACTOR

SERIES	SECTION	DESCRIPTION	FORM NUMBER
10		<b>GENERAL</b>	
	1010	General Specification .....	9-79586
	1012	Lubrication .....	9-79645
	1020	Engine - 504 BDT .....	9-45991
	1130	Fuel System .....	9-77936
	1040	Hydraulic System .....	9-76516
	1050	Steering System .....	9-76525
	1060	Power Train .....	9-76536
	1070	Brake System .....	9-76545
20		<b>ENGINES</b>	
	2001	Engine Diagnosis .....	9-76365
	2002	Engine Tune-Up .....	9-76379
	2010	Parts Removal to Gain Access to Cylinder Head .....	9-79445
	2011	Parts Removal to Gain Access to Camshaft .....	9-79485
	2015	Cylinder Head, Valve Train and Camshaft .....	9-76166
	2020	Parts Removal to Gain Access to Cyl. Block, Sleeves, Pistons & Rods .....	9-79465
	2025	Cylinder Block, Sleeves, Pistons and Rods .....	9-76176
	2030	Parts Removal to Gain Access to Crankshaft .....	9-79505
	2031	Parts Removal to Gain Access to Front Oil Seal .....	9-79495
	2032	Splitting Tractor between Engine and Torque Tube .....	9-76726
	2030	Crankshaft, Main Bearings, Flywheel and Oil Seals .....	9-76187
	2040	Parts Removal to Gain Access to Oil Pump .....	9-79455
	2040	Lubrication System, Oil Pump, Heat Exchanger and Oil Flow Diagrams .....	9-76325
	2050	Parts Removal to Gain Access to Cooling System .....	9-79475
	2055	Cooling System .....	9-76337
	2060	Parts Removal to Gain Access to Turbocharger .....	9-79425
	2065	Turbocharger - T04B .....	9-78026
	2565	Turbocharger Failure Analysis .....	9-78235
	2075	Self Cleaning Air Induction System .....	9-79435
	2290	Reconditioning Engine Cylinder Block .....	8-21170
30		<b>FUEL SYSTEM</b>	
	3010	Fuel System .....	9-75297
	3012	Robert Bosch Fuel Injection Pumps .....	9-74937
	3113	American Bosch Fuel Injectors .....	9-77756
	3015	Repairing Polyethylene Fuel Tanks .....	9-76305
40		<b>HYDRAULICS</b>	
	4005	Testing Tractor Hydraulics System .....	9-45851
	4009	Removal and Installation - Dual, Single and Charging Pumps .....	9-77385
	4010	Hydraulic Oil Filters .....	9-76275
	4011	Hydraulic Charging Pump .....	9-76285
	4012	Hydraulic 4 Gear Dual Pump .....	9-76345
	4013	Hydraulic 2 Gear Single Pump .....	9-76355
	4014	Remote Hydraulic Valves .....	9-76636
	4015	Variable Volume Flow Divider Valve .....	9-76405
	4016	Flow Divider and PTO Control Valve .....	9-77145
	4017	Draft-O-Matic Hydraulic System .....	9-74277
	4019	Break-Away Couplings and Portable Cylinder .....	9-74197

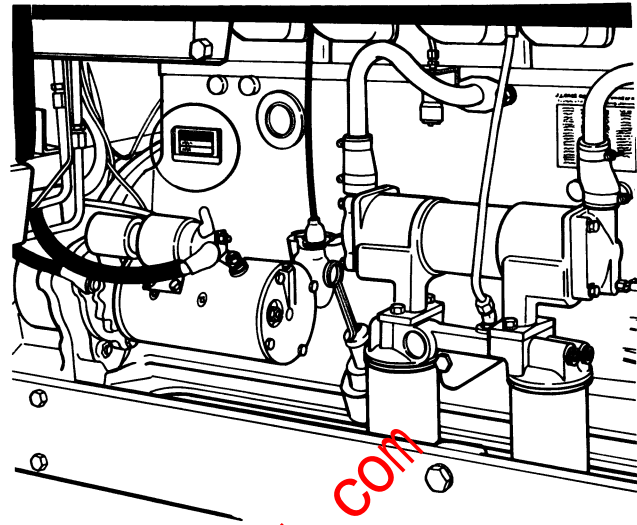
50	<b>STEERING</b>	
	5005	Testing Tractor Steering and Brake System ..... 9-45911
	5010	Steering Column and Pump Valve ..... 9-74269
	5011	Steering Axle and Cylinders ..... 9-74037
60	<b>POWER TRAIN</b>	
	6001	Trouble Shooting RPS-34 Power Shift ..... 9-76037
	6005	Testing RPS-34 Power Shift and PTO ..... 9-45841
	6111	Differential Lock, Brake Cylinders, Planetaries and Axles ..... 9-79715
	6019	Splitting Tractor Between Torque Tube and Transmission ..... 9-79555
	6020	Torque Limiter ..... 9-77045
	6025	Hydraulic Pump Drive ..... 9-77306
	6230	RPS-34 Power Shift ..... 9-79575
	6035	RPS-34 Control Valve and Linkage ..... 9-77316
	6040	Four Speed Transmission ..... 9-77327
	6145	Hydraulic PTO ..... 9-79405
70	<b>BRAKES</b>	
	7010	Power Assist Unit and Pedals ..... 9-74096
	7012	Power Assist Brake Valve W/Adjustable Relief Valve ..... 9-45871
	7015	Park Lock System ..... 9-79626
80	<b>ELECTRICAL</b>	
	8110	Tractor Electrical Wiring Diagram ..... 9-79255
	8011	Tractor Cab Wiring Diagram ..... 9-77698
	8012	Starting or Cranking Motors ..... 9-75366
	8013	Battery Servicing and Testing ..... 9-75377
	8114	Delco-Remy Alternator System ..... 9-78976
	8115	Delco-Remy Alternator System ..... 9-45901
	8020	Neutral Start Switch Adjustment and Correct Starting Procedure Using Booster Batteries ..... 9-79745
90	<b>ACCESSORIES</b>	
	9005	Trouble Shooting - Air Conditioning System ..... 9-78895
	9015	Gauging and Testing - Air Conditioning System ..... 9-78995
	9025	Compressor Isolation, Removal, Installation and Evacuation - System Discharging, Evacuation and Charging ..... 9-79015
	9035	Servicing Air Conditioning Components ..... 9-78705
	9050	Seat Adjustments (Swivel and Non Swivel) ..... 9-79755
100	<b>HOW IT WORKS</b>	
	14001	Hydraulic System Oil Flows ..... 9-76606
	14014	Remote Hydraulic Valve ..... 9-76556
	14015	Variable Volume Flow Divider Valve ..... 9-79615
	14016	Flow Divider/PTO Control Valve, R.H. Dual & L.H. Single Pumps ..... 9-76466
	14017	Draft-O-Matic Hydraulic System ..... 9-76476
	15010	Steering Hand Pump-Valve ..... 9-76566
	16011	Differential Lock ..... 9-76486
	16030	Power Shift ..... 9-76496
	16145	Hydraulic Power Take-Off ..... 9-79405
	17010	Power Brakes ..... 9-76506
	19010	Air Conditioning System ..... 9-78615

<https://caseihservicemanual.com>

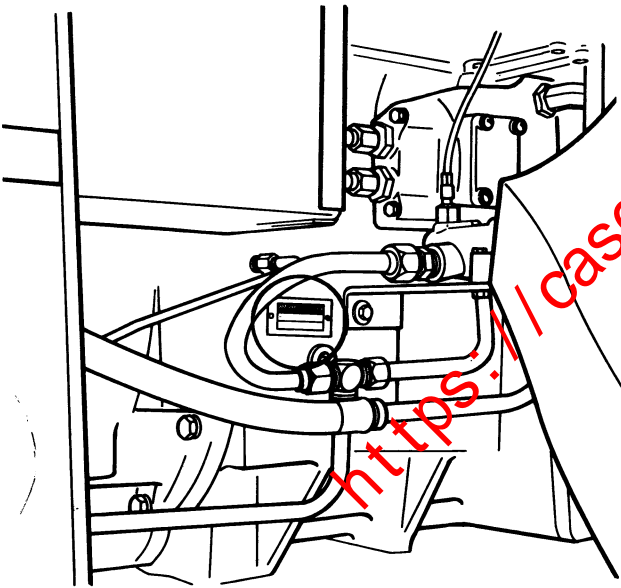
## SERIAL NUMBERS



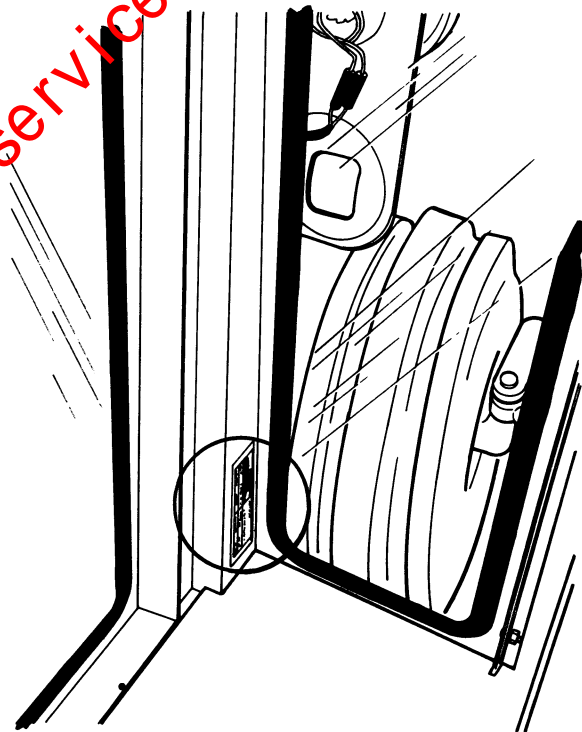
TRACTOR SERIAL NUMBER



ENGINE SERIAL NUMBER



TRANSMISSION SERIAL NUMBER



CAB SERIAL NUMBER

## DIESEL ENGINE

### General

Type -----6 Cylinder, 4 Stroke Cycle, Valve-In-Head  
 Turbocharged Diesel Engine

Firing Order ----- 1-5-3-6-2-4

Bore ----- 4-5/8 Inches (117.5mm)

Stroke ----- 5 Inches (127mm)

Piston Displacement ----- 504 Cubic Inches (8 259cm<sup>3</sup>)

Compression Ratio ----- 15.8 to 1

Cylinder Sleeves ----- Removable Wet Type

No Load Governed Speed ----- 2290-2330 RPM

Rated Engine Speed ----- 2100 RPM

Engine Idling Speed ----- 700-750 RPM

\*Valve Tappet Clearance (Exhaust) ----- (Hot) .020 Inch (0.508mm)  
 (Cold) .025 Inch (0.635mm)

(Intake) ----- (Hot and Cold) .015 Inch (0.381mm)

\*Hot Settings Are Made After The Engine Has Operated At Thermostat Controlled Temperature For At Least Fifteen Minutes.

### Piston and Connecting Rods

Rings per Piston ----- 3

Number of Compression Rings ----- 2

Number of Oil Rings ----- 1

Type Pins ----- Full Floating Type

Type Bearings ----- Replaceable Precision, Steel Back  
 with Aluminum or Copper-Lead Alloy Liners.

### Main Bearings

Number of Bearings ----- 7

Type Bearings ----- Replaceable Precision, Steel Back  
 with Aluminum or Copper-Lead Alloy Liners.

### Air Intake System

Type ----- Self-Cleaning Air Induction System,  
 Dry-Type, 2 Stage With Service  
 Indicator and Pre-Cleaner.

## Engine Lubrication System

Oil Pressure	45 to 60 PSI (310 to 414 kPa) with Engine Warm and Operating at Rated Engine Speed.
Type System	Pressure and Spray Circulation with Piston Oil Cooling.
Oil Pump	Gear Type
Oil Filter (2)	Full Flow Spin on Type, Pleated with By-pass Valve in Filter Base.
Oil Capacity	With Filters, 26 U.S. Qts. (24.6 litres) Without Filters, 22 U.S. Qts. (20.8 litres)
Oil Cooler	Engine Oil

## Cooling System

Capacity of System	44 U.S. Quarts (41.6 litres)
Type of System	Pressurized, Thermostat Controlled By-Pass Type; Forced Circulation, (Impeller Type Pump).
Radiator	Heavy Duty Fin and Tube Type
Thermostat (2)	Starts to Open at Approximately 175°F. (79°C.), Fully Open at 202°F. (94°C.)
Pressure Cap Required	10 PSI (69.0 kPa)

## Fuel System

Fuel Injection Pump	Robert Bosch, Type PES (Multiple Plunger).
Pump Timing	25 Degrees Before Top Dead Center (Port Closing). <b>IMPORTANT:</b> Do Not Advance Beyond 25° BTDC Under Any Circumstances. The Specified 25° Provides Minimum Emissions In Tractor Operation.
Fuel Injectors	American Bosch, 17mm Opening Pressure 4000 PSI (27 579 kPa)
Fuel Transfer Pump	Plunger Type, Integral Part of Injection Pump.
Governor	Variable Speed, Fly-Weight Centrifugal Type; Integral Parts of Injection Pump.
1st Stage fuel filter	Full Flow Spin on Type
2nd Stage fuel filter	Full Flow Spin on Type
Fuel Tank Water Trap and Drain	Located in Base of Fuel Tank.
Fuel Tank Capacity	80 U.S. Gallons (303 litres)
Fuel Level Gauge	Electric, Located on Instrument Panel.
Hand Primer Pump	Located on Top of the Fuel Transfer Pump.
Preliminary Fuel Filter	Located at the Bottom of the Fuel Transfer Pump.



## TRACTOR SPECIFICATIONS

### Electrical System

Type of System	12 Volt Negative Ground
Batteries	(2) 12 Volt Batteries Connected in parallel, Group Size 30H, Rated in 1.255 to 1.265 Specific Gravity. Discharge Rate 300 Amps at 0°F. Voltage Drops to 9.2 after 10 Seconds. Voltage Drops 1.0 Volt per Cell after 4 min.
Alternator	12 Volt 55 Amp Output, Negative Ground
Voltage Regulator	12 Volt, Solid State, Internal Component of Alternator
Starter Motor	12 Volt with Solenoid Switch
Head Lights (2)	12 Volt, 40/40 Watt Sealed High-Low Beam
Front Flood Lights (2) (optional)	12 Volt, 35 Watt Sealed Beam
R. Rear Flood Light (1) (optional)	12 Volt, 60 Watt, Sealed Beam
Flasher Lights (2) With Directional Turn Signals	12 Volt, Amber Lens
L. Rear Flood and Tail Light (1)	12 Volt, 60 Watt Sealed Beam Combination Tail and Flood Lamp.
Circuit Breaker System Over Load Check	12 Volt Twin 40 AMP Breakers Connected in Parallel, 80 Amp Rating. 60 Amp. Min. Continuous Capacity.
Lights Circuit Breaker	40 Amp., Located on Light Switch

### Hydraulic Power Assist Brakes

Type	Hydraulic, Power Assisted, Self-Adjusting Multiple Plate Wet Type Differential Brakes.
------	--

### Power Shift Transmission

Type	3 Speed Compound Planetary With Hydraulically Actuated Clutches and a 4 Speed Gear Range Selection.
Gear Selection	12 Speeds Forward and 3 Speeds Reverse.
Shifting	Hydraulic Power Shifting Controlled by a Lever on Operator's Console. 4 Speed Range Controlled by a Mechanical Shifter from a Lever on Operator's Console.
Oil Cooler	Transmission, Hydraulic, Steering and Brake Oil



### Differential Lock

Type ----- Hydraulically Actuated, Operated  
by Operator's Foot Pedal.

### Hydrostatic Power Steering

Dual Pump, 8 gal. (30.3 litres) Section ----- Direct Drive Gear Type

Pump Capacity at 2000 Engine RPM ----- 8 GPM (30.3 l/min.)

HGA Hydrostatic Type ----- Integral and Bi-Directional  
Gerotor Metering Section, Actuated  
by the Steering Wheel.

Steering Cylinders ----- Two Double Acting Cylinders

### Draft-O-Matic System

Type of Sensing ----- Lower Link

Type Control ----- Hand Lever

Type Valve ----- 3 Positions - Raise - Hold - Lower

Type Draft Arms ----- Rigid Swinging, with  
Manual Float Adjustment

Type Hitch ----- 3 Point Category III

Convertible Hitch Coupler (Available) ----- Category III-II

### Power Take-Off

Type Clutch ----- Hydraulically Operated

Rotation ----- Clockwise

Spline Size ----- 21 Splines 1-3/8 in. (34.9mm) Dia.

Engine Speed 2100 RPM ----- 1000 RPM Shaft Speed

### Drawbar

Standard or Yoke Type ----- Full Swinging Roller Mounted,  
Will Accommodate a 1-1/2 Inch (38.1mm) Dia. Pin.

<http://caseih.servicemanual.com>

## Remote Hydraulic System

Dual Pump (20 gal. Section) ----- Direct Drive Gear Type  
 Type Remote Valve (R.H. Side) ----- Dual Valve-Individual  
 Hand Lever Control  
 Pump Capacity at 2000 Engine RPM ----- 20 GPM (75.7 l/min.)  
 Relief Valve Pressure ----- 2050 to 2250 PSI  
 (14 134 to 15 503 kPa)  
 Portable Cylinders ----- Available  
 Couplings (R.H. Side) ----- ASAE R366 Standard Quick Detachable Break-away Type.

## Variable Flow Remote Hydraulic System

Single Pump ----- Gear Type, Direct Drive  
 Type Remote Valve (L.H. Side) ----- Dual Valve-Individual  
 Hand Lever Control.  
 Pump Capacity at 2000 Engine RPM ----- 20 GPM (75. l/min.)  
 Relief Valve Pressure ----- 2050 to 2250 PSI  
 (14 134 to 15 503 kPa)  
 Variable Flow Control Valve ----- Hand Operated from  
 Console - Minimum 2.7 GPM (10.2 l/min.)  
 to Maximum 20 GPM (75.7 l/min.)  
 Couplings (L.H. Side) ----- ASAE R366 Standard Quick Detachable Break-away Type.  
 Portable Cylinders ----- Available

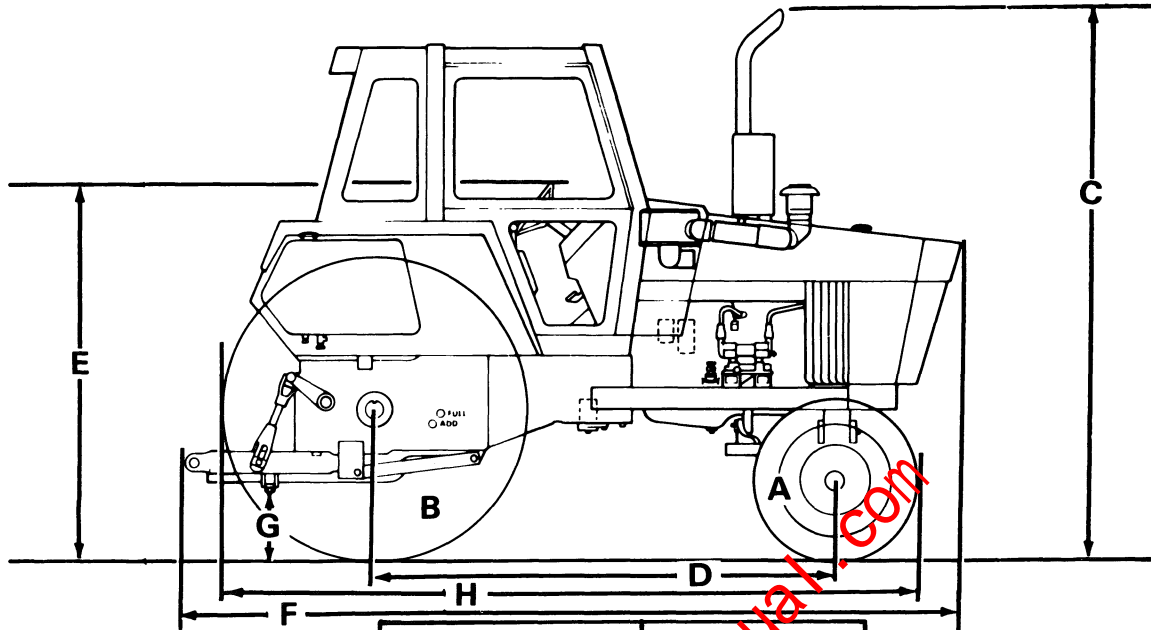
<https://caseinsevicemanual.com>

**Approximate Travel Speeds in MPH  
and KM/H at 2100 Engine RPM  
12 Speed Power Shift Transmission**

**NOTE: Reverse may not be obtained with transmission in 4th range.**

TRANSMISSION RANGE	POWER SHIFT			REAR TIRE SIZE
	1	2	3 AND REVERSE	
1	1.92 mph (3.1 km/h)	2.6 mph (4.2 km/h)	3.2 mph (5.2km/h)	18.4-38
2	3.3 mph (5.3 km/h)	4.4 mph (7.1 km/h)	5.5 mph (8.9 km/h)	
3	5.0 mph (8.1 km/h)	6.7 mph (10.8 km/h)	8.4 mph (13.5 km/h)	
4	10.6 mph (17.1 km/h)	14.3 mph (23.0 km/h)	19.6 mph (31.5 km/h)	
1	1.97 mph (3.2 km/h)	2.7 mph (4.4 km/h)	3.3 mph (5.3 km/h)	20.8-38
2	3.4 mph (5.5 km/h)	4.5 mph (7.2 km/h)	5.7 mph (9.2 km/h)	
3	5.2 mph (8.4 km/h)	6.9 mph (11.1 km/h)	8.7 mph (14.0 km/h)	
4	10.9 mph (17.5 km/h)	14.7 mph (23.7 km/h)	20.1 mph (32.4 km/h)	
1	1.91 mph (3.1 km/h)	2.6 mph (4.1 km/h)	3.2 mph (5.1 km/h)	24.5-32
2	3.3 mph (5.3 km/h)	4.4 mph (7.1 km/h)	5.5 mph (8.9 km/h)	
3	5.0 mph (8.1 km/h)	6.7 mph (10.8 km/h)	8.4 mph (13.5 km/h)	
4	10.6 mph (17.1 km/h)	14.2 mph (22.8 km/h)	19.5 mph (31.7 km/h)	
1	2.03 mph (3.3 km/h)	2.8 mph (4.5 km/h)	3.4 mph (5.5 km/h)	30.5-32
2	3.5 mph (5.6 km/h)	4.7 mph (7.6 km/h)	5.8 mph (9.3 km/h)	
3	5.3 mph (8.5 km/h)	7.1 mph (11.4 km/h)	8.9 mph (14.3 km/h)	
4	11.2 mph (18.0 km/h)	15.1 mph (24.3 km/h)	20.7 mph (33.3 km/h)	

### Approximate Overall Measurements



	TIRE	WHEEL
A	14L-16.1 F2	W11L-16.1
B	24.5-32 R1	DW21-32

C	127 INCHES (3 226mm)
---	-------------------------

E	89 INCHES (2 159mm)
---	------------------------

G	16 INCHES (406mm)
---	----------------------

D	104 INCHES (2 642mm)
---	-------------------------

F	182 INCHES (4 623mm)
---	-------------------------

H	160 INCHES (4 064mm)
---	-------------------------

- Turning Radius ..... 172 Inches (4 369mm)
- Turning Radius With Brake Assistance ..... 148 Inches (3 759mm)
- Height over Cab ..... 117 Inches (2 971mm)
- Height over Muffler on Cab Models ..... 127 Inches (3 226mm)

### Approximate Shipping Weight

- Tractor without Cab ..... 11,820 Pounds (5 361 kg)
  - Tractor with Cab ..... 13,300 Pounds (6 032 kg)
- IMPORTANT:** The total tractor weight with ballast and weights must not exceed 20,500 lbs. (9 299 kg).

### Operator's Cab

The Case Operators Cab build for this tractor is equipped with built in Rollover Protection in accordance with ASAE S336.1 & S310.2 and SAE J167a & J168a standards. This cab also conforms to OSHA regulation 1928.53 & 1926.1002, approval number CA R185

## Tire and Wheel Equipment

### Front

TIRE SIZE	TIRE PLY	RIM SIZE	TREAD TYPE	TIRE * PRESSURE
11.00-16	6	W8L-16	F2	28 PSI (193 kPa)
11.00-16	8	W8L-16	F1 & F2	36 PSI (248 kPa)
14L-16.1	6	W11L-16.1	F2	24 PSI (166 kPa)
16.5L-16	8	W11L-16	I1	24 PSI (166 kPa)

### Rear

TIRE SIZE	TIRE PLY	RIM SIZE	TREAD TYPE	TIRE* PRESSURE
18.4-38	8	W16L-38	R1 & R2	20 PSI (138 kPa)
18.4-38	10	W16L-38	R1 & R2	26 PSI (179 kPa)
20.8-38	8	W18L-38	R1 & R2	18 PSI (124 kPa)
20.8-38	10	W18L-38	R1 & R2	22 PSI (152 kPa)
24.5-32	10	DW27-32	R1 & R2	20 PSI (138 kPa)
30.5-32	10	DW27-32	R1	16 PSI (110 kPa)

**NOTE:** Keep tires inflated to recommended pressures. Check pressures at least every 500 hours of operation or once a week, whichever occurs first. Do not reduce rear tire pressure to increase traction. When plowing, increase furrow wheel tire pressure 4 PSI (28 kPa).

**\*NOTE:** The above tire pressures are recommended for normal tractor operation. Special traction conditions may require that you deviate from these pressures. If special conditions arise, consult with your Authorized Case Dealer, before changing tire pressures.

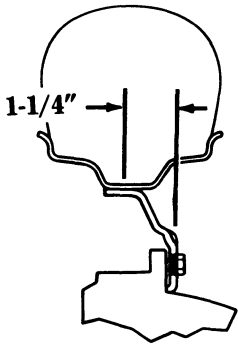
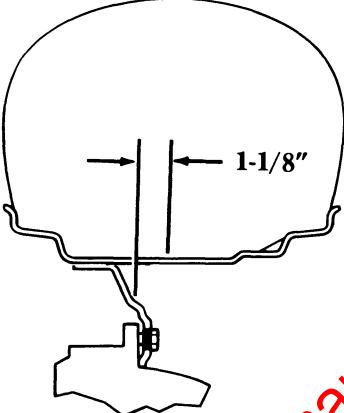
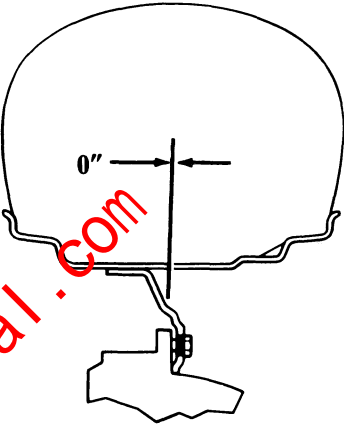
**IMPORTANT:** Do not attempt to remove, repair or install a tractor tire on a rim. Take the tire and rim to an experienced and properly equipped tire shop where special safety equipment is available.

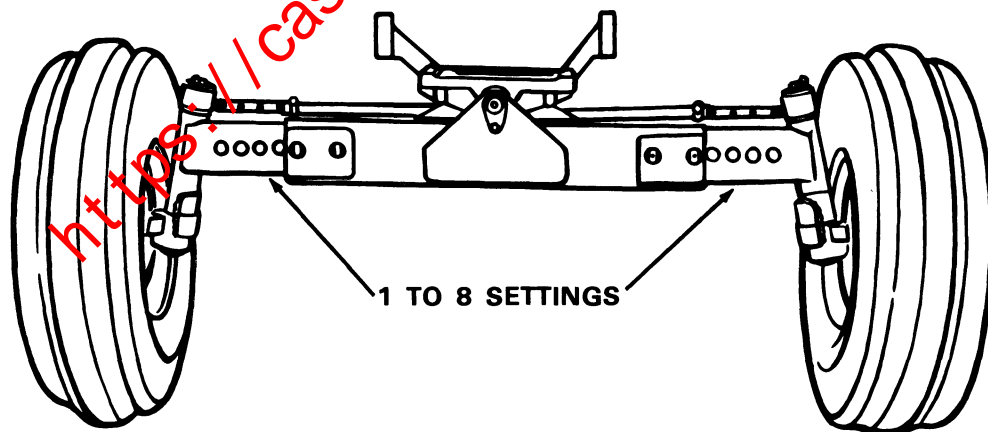
### Dual Rear Tire Pressure

**NOTE:** Inflate inside tires to recommended pressure to maintain good ground contact for maneuverability. Inflate outside tires 0 to 4 PSI (0 to 28 kPa) below recommended pressure to obtain flotation desired but never less than 12 PSI (82.7 kPa) total pressure.

## Front Wheel Tread Spacing

(With Wheels Dished in Only)

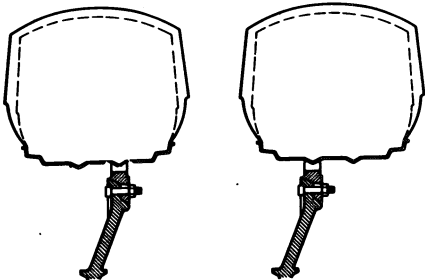
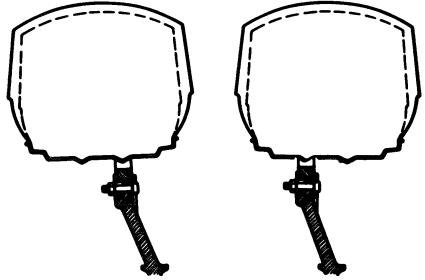
<p>1-1/4 in. (31.8mm) OFFSET W8L-16 WHEEL RIM W/11.00-16 TIRE</p>	<p>1-1/8 in. (28.6mm) OFFSET W11L-16 WHEEL RIM W/16.5L-16 TIRE</p>	<p>NON-OFFSET W11L-16.1 WHEEL RIM W/14L-16.1 TIRE</p>
 <p>1-1/4"</p> <p>← CENTERLINE OF TRACTOR</p>	 <p>1-1/8"</p> <p>← CENTERLINE OF TRACTOR</p>	 <p>0"</p> <p>← CENTERLINE OF TRACTOR</p>
<p>60 TO 88 INCHES (1 524 TO 2 235mm)</p>	<p>64 TO 92 INCHES (1 646 TO 2 337mm)</p>	<p>61 TO 89 INCHES (1 549 TO 2 261mm)</p>
<p>ADJUSTABLE AXLE SPACING IN INCHES AND MILLIMETERS</p>		



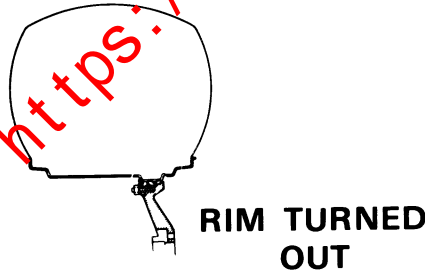
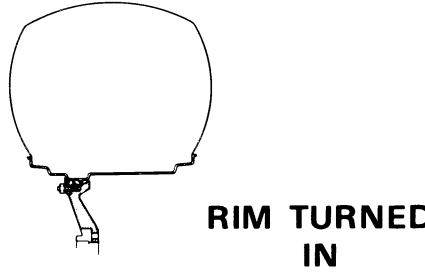
**NOTE:** Axle spacing listings above are from the narrow setting, to the wide setting in increments of 4 inches (101.6mm).

**NOTE:** When tightening the 5/8 in. diameter front wheel bolts, torque 115 to 130 ft. lbs. (156 to 176 Nm). When tightening the 9/16 in. diameter front wheel bolts, torque 85 to 100 ft. lbs. (115 to 136 Nm), whichever is applicable to your tractor.

### Rear Wheel Tread Spacing

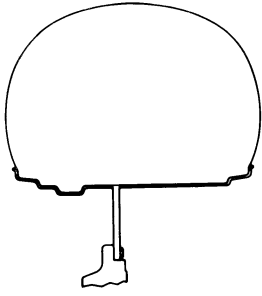
TIRE SIZE				
	WHEEL DISHED OUT		WHEEL DISHED IN	
<b>96 INCH (2 438mm) REAR AXLE</b>				
18.4 X 38	*82 TO 109 INCH (2 083 TO 2 769mm)	62 TO 84 INCH (1 575 TO 2 134mm)		
20.8 X 38	*82 TO 109 INCH (2 083 TO 2 769mm)	64 TO 84 INCH (1 626 TO 2 134mm)		
<b>120 INCH (3 048mm) REAR AXLE</b>				
18.4 X 38	*82 TO 133 INCH (2 083 TO 3 378mm)	62 TO 108 INCH (1 575 TO 2 743mm)		
20.8 X 38	*82 TO 133 INCH (2 083 TO 3 378mm)	64 TO 108 INCH (1 626 TO 2 743mm)		

\*OUTER DIMENSION CAN BE 2 INCHES (50.8mm) LESS WHEN CLAMP IS MOUNTED ON INSIDE.

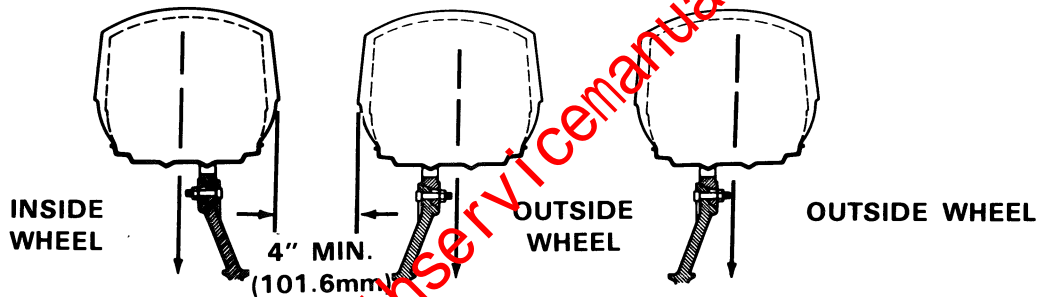
TIRE SIZE				
	RIM TURNED OUT		RIM TURNED IN	
<b>96 INCH (2 438mm) REAR AXLE</b>				
24.5 X 32	76 TO 95 INCH (1 930 TO 2 413mm)	68 TO 77 INCH (1 727 TO 1 956mm)		
<b>120 INCH (3 048mm) REAR AXLE</b>				
24.5 X 32	76 TO 119 INCH (1 930 TO 3 023mm)	68 TO 101 INCH (1 727 TO 2 565mm)		



### Rear Wheel Tread Spacing

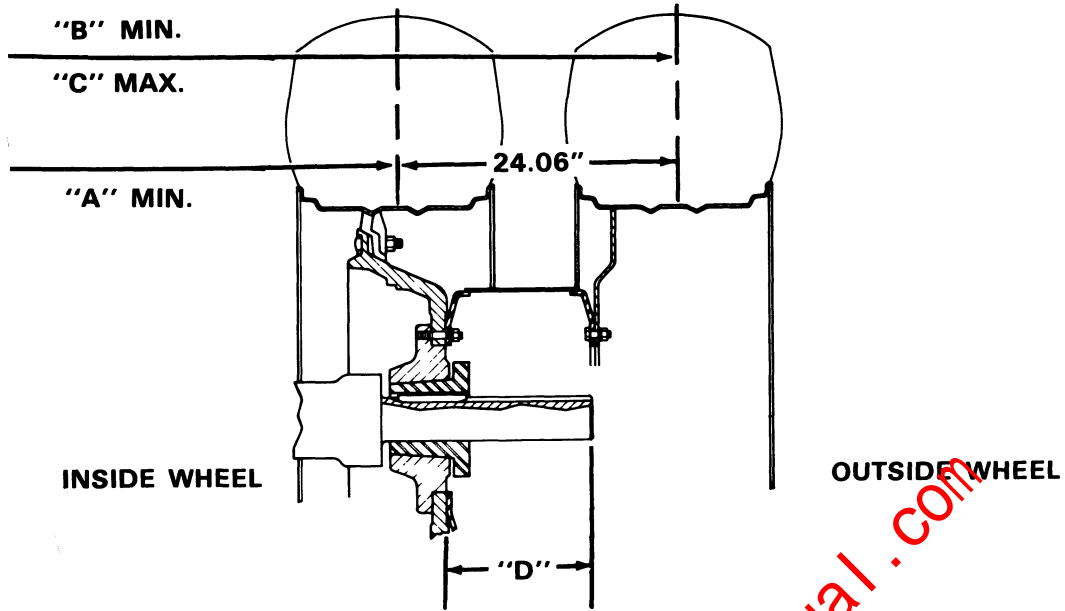
TIRE SIZE	
<b>120 INCH (3 048mm) REAR AXLE</b>	
<b>30.5 X 32</b>	<b>74 TO 118 INCH (1 880 TO 2 997mm)</b>

### Dual Rear Wheel Tread Spacing



TIRE SIZE	MIN. TREAD	MIN. TREAD	MAX. TREAD	INNER WHEEL	OUTER WHEEL
<b>96 INCH (2 438mm) REAR AXLE</b>					
18.4 X 38	62 IN. (1 575mm)	107 IN. (2 718mm)	109 IN. (2 769mm)	CAST	CAST
<b>120 INCH (3 048mm) REAR AXLE</b>					
18.4 X 38	62 IN. (1 575mm)	107 IN. (2 718mm)	133 IN. (3 378mm)	CAST	CAST
18.4 X 38	62 IN. (1 575mm)	107 IN. (2 718mm)	127 IN. (3 226mm)	CAST	STEEL
20.8 X 38	64 IN. (1 626mm)	114 IN. (2 896mm)	133 IN. (3 378mm)	CAST	CAST
20.8 X 38	64 IN. (1 626mm)	113 IN. (2 870mm)	131 IN. (3 327mm)	CAST	STEEL

### Dual Rear Wheel Tread Spacing with Spacer



TIRE SIZE	A MIN. TREAD	B MIN. TREAD	C MAX. TREAD	D	INNER WHEEL	OUTER WHEEL
<b>96 INCH (2 438mm) REAR AXLE</b>						
18.4 X 38	62 IN. (1 575mm)	110 IN. (2 794mm)	131 IN. (3 327mm)	10.5 IN. (267mm)	CAST	STEEL
<b>120 INCH (3 048mm) REAR AXLE</b>						
18.4 X 38	62 IN. (1 575mm)	110 IN. (2 794mm)	155 IN. (3 937mm)	22.5 IN. (572mm)	CAST	STEEL
20.8 X 38	64 IN. (1 626mm)	112 IN. (2 845mm)	157 IN. (3 988mm)	22.5 IN. (572mm)	CAST	STEEL

<https://casehistory.com/manual.com>

<https://caseihservicemanual.com>

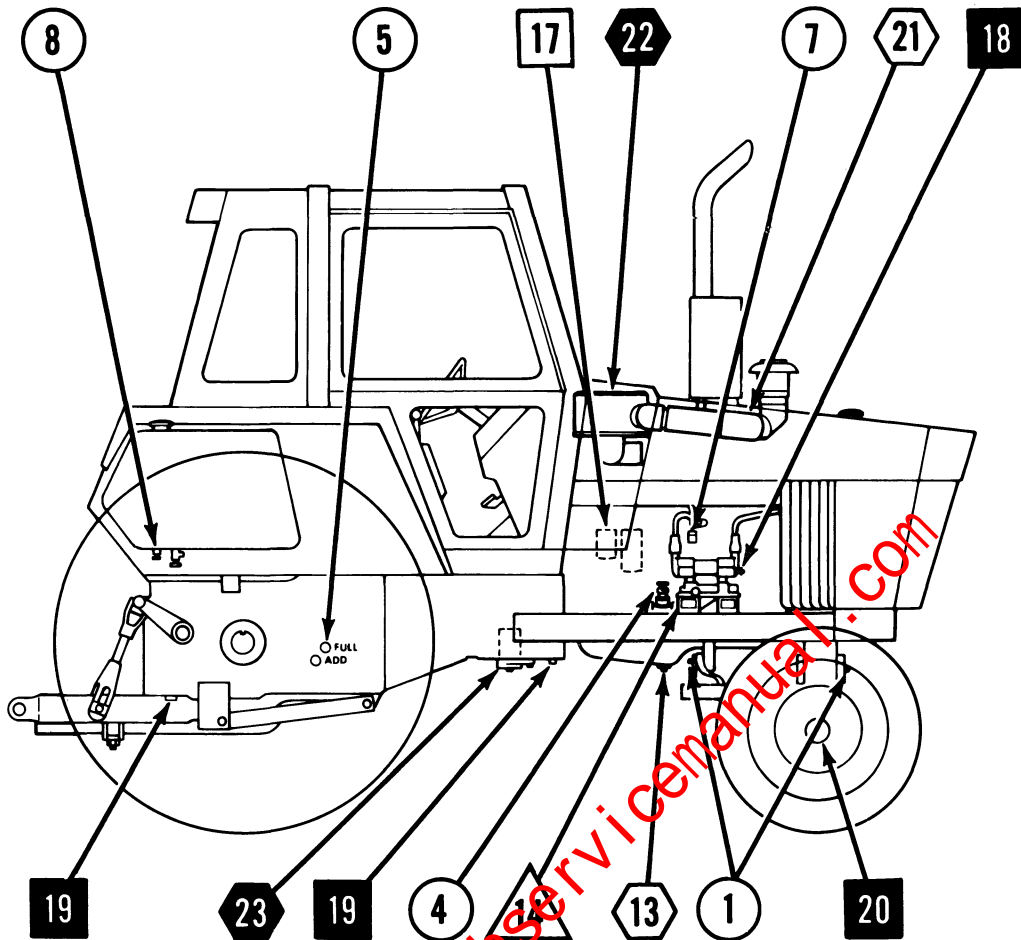
<https://caseihservicemanual.com>

**NOTE:** The Case Company reserves the right to make improvements in design or changes in specifications at any time without incurring any obligation to install them on units previously sold.

# Section 1012

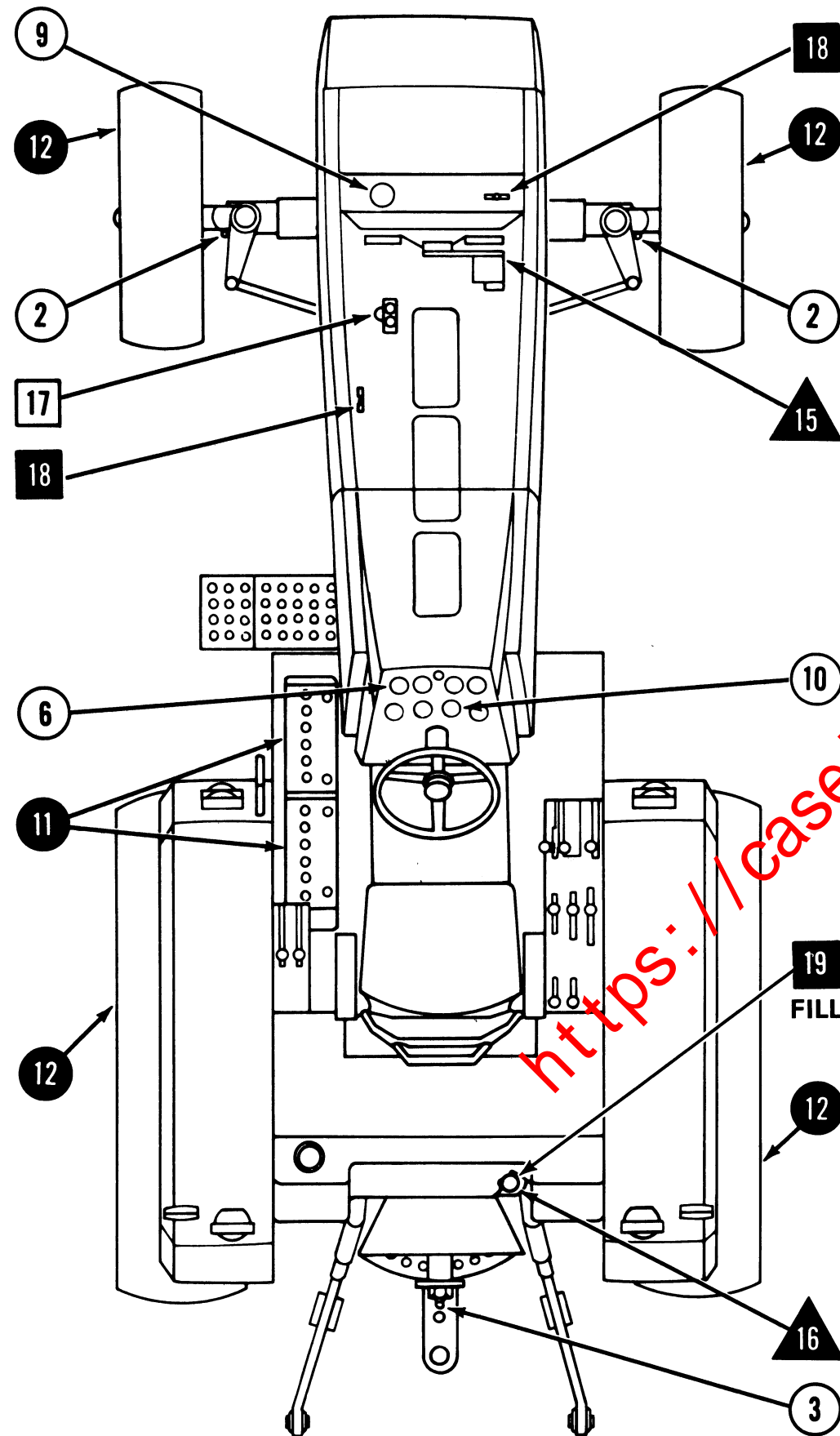
LUBRICATION  
1570 TRACTOR  
Spirit of '76

<https://caseinstruments.com>



**RECOMMENDED LUBRICANTS AND APPROXIMATE CAPACITIES**

LUBRICATION POINTS	APPROXIMATE CAPACITIES			PREVAILING AIR TEMPERATURE RANGES		
	U.S. MEASURE	METRIC MEASURE	IMPERIAL MEASURE	32°F. (0°C.) and Above	10°F. (-12°C.) to 50°F. (10°C)	Use Only Below 40°F. (4°C.)
Engine Crankcase W/O Filter	22 Qts.	20.8 Litres	18.3 Qts.	SAE 30	SAE 20W	SAE 10W
Engine Crankcase W/Filter	26 Qts.	24.6 Litres	21.7 Qts.	CASE HDM		
Transmission Hyd. System (Power Shift)	124 Qts.	117.4 Litres	102.5 Qts.	USE CASE TFD FLUID		
Fuel Tank	80 Gals.	302.9 Litres	66.6 Gals.	Use A Good Grade Number 2 Diesel Fuel		
Cooling System	44 Qts.	41.6 Litres	36.6 Qts.	Use a Top Brand "High Boiling Point" Type Anti-Freeze. Recommend 1 Pint (.5 Litre) Case Cool Sys. Treatment 331-508 Annually.		
All Pressure Fittings	As Many Strokes As Required			PREVAILING AIR TEMPERATURE RANGES		
				32°F. (0°C.) and Above		Below 32°F. (0°C.)
				Use a Good No. 2 Lithium Gun Grease		Use a Good No. 1 Lithium Gun Grease



REF. NO.	SERVICE POINTS	NO. OF POINTS	NO. OF POINTS				FREQUENCY
			GREASE	DRAIN	CHECK	CHANGE OIL (Few Drops)	
1	Front Axle Pivot	2	■				○ 10 HOURS
2	King Pins	2	■				
3	Drawbar Roller	1	■				
4	Engine Crankcase Oil Level & Filler	1		■			
5	Transmission Oil Level	1		■			
6	Fuel Tank Level	1		■			
7	Air Cleaner Restriction Indicator	1		■			
8	Fuel Tank Water Trap	1	■				
9	Radiator Coolant Level	1		■			
10	Transmission Filter Pressure	1		■			
11	Battery Water Level	2			■		● 50 HOURS
12	Tire Pressure	4			■		
13	Engine Crankcase Oil	1		■	■		○ 100 HOURS
14	Engine Oil Filters	2		■	■		△ 200 HOURS
15	Fan Belt and Compressor Belt	2		■			▲ 250 HOURS
16	Transmission - Hyd. Oil Breather	1			■		
17	Fuel Filters	3		■	■		□ 500 HOURS
18	Cooling System	3		■	■		
19	Transmission - Hydraulic Oil	2		■	■		■ 1000 HOURS
20	Front Wheel Bearings	2	■		■		
21	Air Aspirated Strata Tube Pre-Cleaner	1			■		
22	Air Cleaner	1			■		⬡ AS REQUIRED
23	Transmission Hyd. Oil Filters	2		■	■		

<https://caseinservicemanual.com>



<https://caseihservicemanual.com>

<https://caseihservicemanual.com>