

<https://caseihservicemanual.com/>

MAGNUM 180
MAGNUM 190
MAGNUM 210

Tractor with Full Powershift Transmission

from PIN ZARH06086

SERVICE MANUAL

Part number 84386819

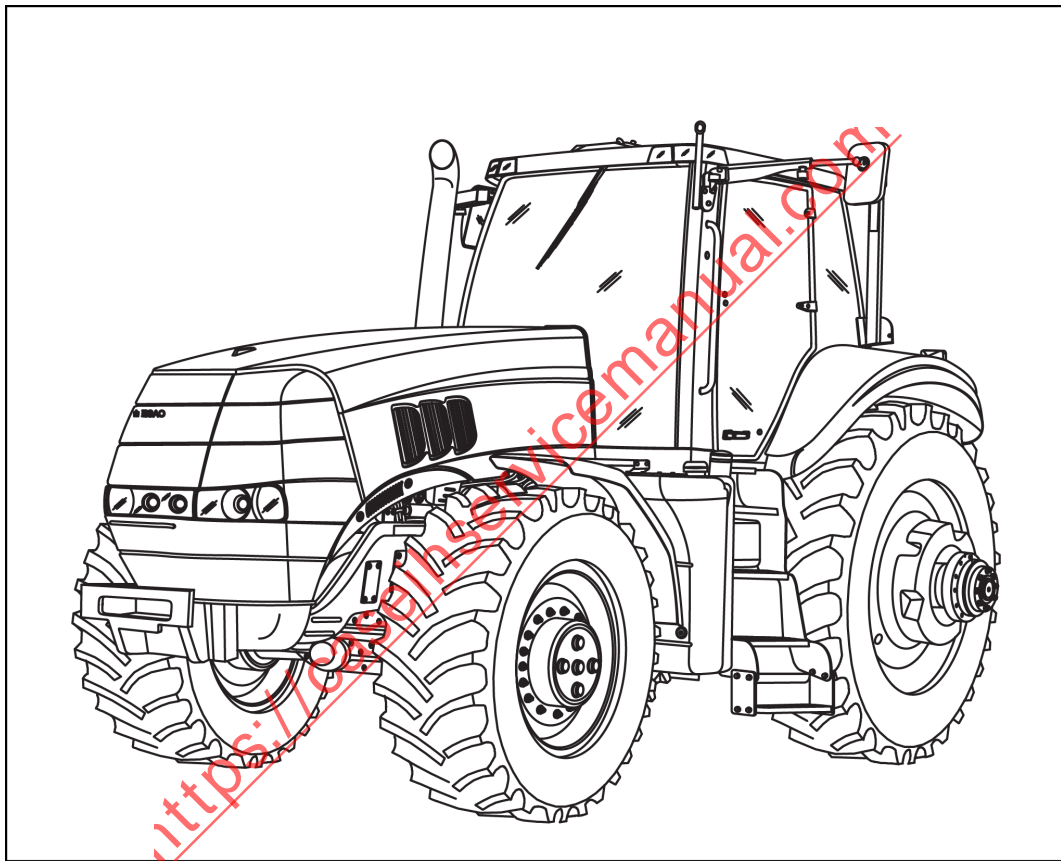
English

November 2010





SERVICE MANUAL



Magnum 180 [ZARH06086 -]
Magnum 190 [ZARH06086 -]
Magnum 210 [ZARH06086 -]

Contents

INTRODUCTION

HYDRAULIC - PNEUMATIC - ELECTRICAL - ELECTRONIC SYSTEMS A

PRIMARY HYDRAULIC POWER SYSTEM	A.10.A
PRIMARY HYDRAULIC POWER SYSTEM Electro-hydraulic remote valve	A.10.C
ELECTRICAL POWER SYSTEM	A.30.A
ELECTRONIC SYSTEM	A.50.A
FAULT CODES	A.50.A

ENGINE AND PTO IN

ENGINE	B
ENGINE	B.10.A
FUEL AND INJECTION SYSTEM	B.20.A
AIR INTAKE SYSTEM	B.30.A
EXHAUST SYSTEM Emissions control	B.40.B
ENGINE COOLANT SYSTEM	B.50.A
LUBRICATION SYSTEM	B.60.A

TRANSMISSION, DRIVE AND PTO OUT

POWER COUPLING Fixed coupling	C
POWER COUPLING Fixed coupling	C.10.B
POWER COUPLING Drop box	C.10.E
TRANSMISSION Powershift	C.20.E
ADDITIONAL REDUCERS Creeper	C.30.C
REAR PTO Hydraulic	C.40.C
BAR AXLE	C.60.A

AXLES, BRAKES AND STEERING

FRONT AXLE	D
FRONT AXLE	D.10.A
2WD-4WD SYSTEM Hydraulic	D.14.C
STEERING Hydraulic	D.20.C
SERVICE BRAKE Hydraulic	D.30.C
PARKING BRAKE Electronic	D.32.D
BRAKE CONNECTION Hydraulic	D.34.C

FRAME AND CAB	E
SHIELD	E.20.A
USER CONTROLS AND SEAT	E.32.A
USER CONTROLS AND SEAT Operator seat	E.32.C
USER PLATFORM	E.34.A
ENVIRONMENT CONTROL Heating, ventilation and air-conditioning.....	E.40.D
FRAME POSITIONING	F
STABILISING Ballasting.....	F.20.B
HITCH AND WORKING TOOL	H
HITCH Rear hitch.....	H.10.C

<https://caseihservicemanual.com/>

<https://caseihservicemanual.com>



INTRODUCTION

<https://caseihservicemanual.com/>

Contents

INTRODUCTION

Torque	3
Magnum 180, Magnum 190, Magnum 210	
Capacities	6

<https://caseihservicemanual.com/>

Torque

Magnum 180, Magnum 190, Magnum 210

Decimal hardware

Grade 5 bolts, nuts and studs

Size	Nm	lb in/lb ft
1/4 in	12 - 15 Nm	108 - 132 lb in
5/16 in	23 - 28 Nm	204 - 252 lb in
3/8 in	48 - 57 Nm	420 - 504 lb in
7/16 in	73 - 87 Nm	54 - 64 lb ft
1/2 in	109 - 130 Nm	80 - 96 lb ft
9/16 in	149 - 179 Nm	110 - 132 lb ft
5/8 in	203 - 244 Nm	150 - 180 lb ft
3/4 in	366 - 439 Nm	270 - 324 lb ft
7/8 in	542 - 651 Nm	400 - 480 lb ft
1 in	787 - 944 Nm	580 - 696 lb ft
1-1/8 in	1085 - 1193 Nm	800 - 880 lb ft
1-1/4 in	1519 - 1681 Nm	1120 - 1240 lb ft
1-3/8 in	1980 - 2278 Nm	1460 - 1680 lb ft
1-1/2 in	2631 - 2983 Nm	1940 - 2200 lb ft

Grade 8 bolts, nuts and studs

Size	Nm	lb in/lb ft
1/4 in	16 - 20 Nm	144 - 180 lb in
5/16 in	33 - 39 Nm	288 - 348 lb in
3/8 in	61 - 73 Nm	540 - 648 lb in
7/16 in	95 - 114 Nm	70 - 84 lb ft
1/2 in	149 - 179 Nm	110 - 132 lb ft
9/16 in	217 - 260 Nm	160 - 192 lb ft
5/8 in	298 - 358 Nm	220 - 264 lb ft
3/4 in	515 - 618 Nm	380 - 456 lb ft
7/8 in	814 - 976 Nm	600 - 720 lb ft
1 in	1220 - 1465 Nm	900 - 1080 lb ft
1-1/8 in	1736 - 1953 Nm	1280 - 1440 lb ft
1-1/4 in	2468 - 2712 Nm	1820 - 2000 lb ft
1-3/8 in	3227 - 3688 Nm	2380 - 2720 lb ft
1-1/2 in	4285 - 4827 Nm	3160 - 3560 lb ft

NOTE: Use thick nuts with Grade 8 bolts.

Metric hardware

Grade 8.8 bolts, nuts and studs

Size	Nm	lb in/lb ft
4 mm	3 - 4 Nm	24 - 36 lb in
5 mm	7 - 8 Nm	60 - 72 lb in
6 mm	11 - 12 Nm	96 - 108 lb in
8 mm	26 - 31 Nm	228 - 276 lb in
10 mm	52 - 61 Nm	456 - 540 lb in
12 mm	90 - 107 Nm	66 - 79 lb ft
14 mm	144 - 172 Nm	106 - 127 lb ft
16 mm	217 - 271 Nm	160 - 200 lb ft
20 mm	434 - 515 Nm	320 - 380 lb ft
24 mm	675 - 815 Nm	500 - 600 lb ft
30 mm	1250 - 1500 Nm	920 - 1100 lb ft
36 mm	2175 - 2600 Nm	1600 - 1950 lb ft

INTRODUCTION

Grade 10.9 bolts, nuts and studs

Size	Nm	lb in/lb ft
4 mm	4 - 5 Nm	36 - 48 lb in
5 mm	9 - 11 Nm	84 - 96 lb in
6 mm	15 - 18 Nm	132 - 156 lb in
8 mm	37 - 43 Nm	324 - 384 lb in
10 mm	73 - 87 Nm	54 - 64 lb ft
12 mm	125 - 150 Nm	93 - 112 lb ft
14 mm	200 - 245 Nm	149 - 179 lb ft
16 mm	310 - 380 Nm	230 - 280 lb ft
20 mm	610 - 730 Nm	450 - 540 lb ft
24 mm	1050 - 1275 Nm	780 - 940 lb ft
30 mm	2000 - 2400 Nm	1470 - 1770 lb ft
36 mm	3500 - 4200 Nm	2580 - 3090 lb ft

Grade 12.9 bolts, nuts and studs

Size	Nm	lb in/lb ft
Typically the torque values specified for grade 10.9 hardware can be used satisfactorily on grade 12.9 hardware.		

Steel hydraulic fittings

37° flare fitting

Tube outside diameter/Hose inside diameter		Thread size	Nm	lb in/lb ft
inch	mm			
6.4 mm	1/4 in	7/16-20 in	8 - 16 Nm	72 - 144 lb in
7.9 mm	5/16 in	1/2-20 in	11 - 22 Nm	96 - 192 lb in
9.5 mm	3/8 in	9/16-18 in	14 - 34 Nm	120 - 300 lb in
12.7 mm	1/2 in	3/4-16 in	20 - 57 Nm	180 - 504 lb in
15.9 mm	5/8 in	7/8-14 in	34 - 79 Nm	300 - 696 lb in
19.0 mm	3/4 in	1-1/16-12 in	54 - 108 Nm	40 - 80 lb ft
22.2 mm	7/8 in	1-3/16-12 in	81 - 135 Nm	60 - 100 lb ft
25.4 mm	1 in	1-5/16-12 in	102 - 158 Nm	75 - 117 lb ft
31.8 mm	1-1/4 in	1-5/8-12 in	169 - 223 Nm	125 - 165 lb ft
38.1 mm	1-1/2 in	1-7/8-12 in	285 - 338 Nm	210 - 250 lb ft

Straight threads with O-ring

Tube outside diameter/Hose inside diameter		Thread size	Nm	lb in/lb ft
inch	mm			
6.4 mm	1/4 in	7/16-20 in	16 - 26 Nm	144 - 228 lb in
7.9 mm	5/16 in	1/2-20 in	22 - 34 Nm	192 - 300 lb in
9.5 mm	3/8 in	9/16-18 in	34 - 54 Nm	300 - 480 lb in
12.7 mm	1/2 in	3/4-16 in	57 - 91 Nm	540 - 804 lb in
15.9 mm	5/8 in	7/8-14 in	79 - 124 Nm	58 - 92 lb ft
19.0 mm	3/4 in	1-1/16-12 in	108 - 174 Nm	80 - 128 lb ft
22.2 mm	7/8 in	1-3/16-12 in	136 - 216 Nm	100 - 160 lb ft
25.4 mm	1 in	1-5/16-12 in	159 - 253 Nm	117 - 187 lb ft
31.8 mm	1-1/4 in	1-5/8-12 in	224 - 357 Nm	165 - 264 lb ft
38.1 mm	1-1/2 in	1-7/8-12 in	339 - 542 Nm	250 - 400 lb ft

Split flange mounting bolts

Size	Nm	lb in/lb ft
5/16-18 in	20 - 27 Nm	180 - 240 lb in
3/8-16 in	27 - 34 Nm	240 - 300 lb in
7/16-14 in	47 - 61 Nm	420 - 540 lb in
1/2-13 in	74 - 88 Nm	55 - 65 lb ft
5/8-11 in	190 - 203 Nm	140 - 150 lb ft

INTRODUCTION

Nominal SAE dash size	O-ring face seal end		O-ring boss end fitting or lock nut					
	Tube outside diameter		Thread size	Nm	lb in/lb ft	Thread size	Nm	lb in/lb ft
mm	in							
-4	6.4 mm	1/4 in	9/16-18 in	14 - 16 Nm	120 - 144 lb in	7/16-20 in	23 - 27 Nm	204 - 240 lb in
-6	9.5 mm	3/8 in	11/16-16 in	24 - 27 Nm	216 - 240 lb in	9/16-18 in	34 - 41 Nm	300 - 360 lb in
-8	12.7 mm	1/2 in	13/16-16 in	43 - 54 Nm	384 - 480 lb in	3/4-16 in	61 - 68 Nm	540 - 600 lb in
-10	15.9 mm	5/8 in	1-14 in	62 - 76 Nm	552 - 672 lb in	7/8-14 in	81 - 88 Nm	60 - 65 lb ft
-12	19.0 mm	3/4 in	1-3/16-12 in	90 - 110 Nm	65 - 80 lb ft	1-1/16-12 in	115 - 122 Nm	85 - 90 lb ft
-14	22.2 mm	7/8 in	1-3/16-12 in	90 - 110 Nm	65 - 80 lb ft	1-13/16-12 in	129 - 136 Nm	95 - 100 lb ft
-16	25.41 mm	1.0 in	1-7/16-12 in	125 - 140 Nm	92 - 105 lb ft	1-5/16-12 in	156 - 169 Nm	115 - 125 lb ft
-20	31.8 mm	1-1/4 in	1-11/16-12 in	170 - 190 Nm	125 - 140 lb ft	1'-5/6-12 in	201 - 217 Nm	150 - 160 lb ft
-24	38.1 mm	1-1/2 in	2-12 in	200 - 254 Nm	150 - 180 lb ft	1-7/8-12 in	258 - 271 Nm	190 - 200 lb ft

<https://caseihservicemanual.com/>

Capacities

Magnum 180, 190, 210 and 225

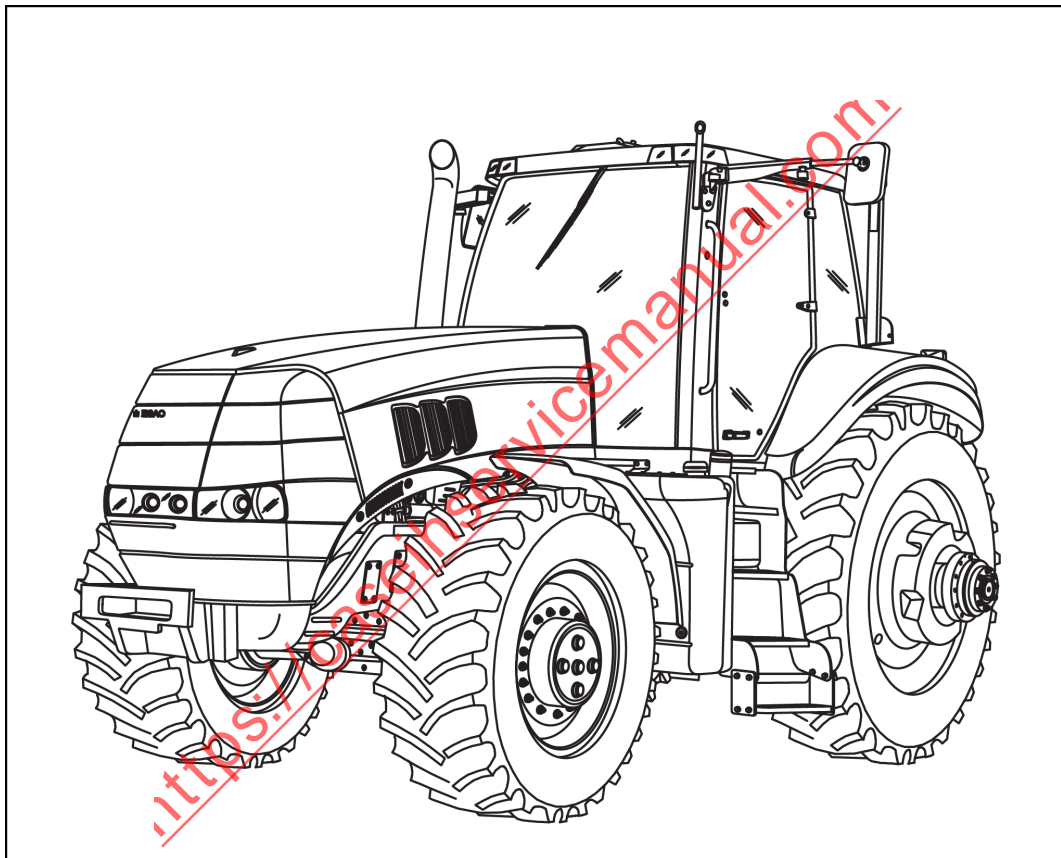
System	Metric	U.S.	Imperial
Engine Oil			
No filter change	16 l	4.23 US gal	3.52 UK gal
With filter change	16.5 l	4.36 US gal	3.63 UK gal
Cooling system	23.65 l	6.25 US gal	5.2 UK gal
Transmission/hydraulic system			
Full Powershift	85 l	22.5 US gal	18.7 UK gal
CVT	100 l	26.4 US gal	22.0 UK gal
Mechanical front drive (MFD)			
4 pin – 10 bolt axle*			
Differential	12.3 l	13 US qt	21.6 UK pt
Planetary (each)	1.4 l	3 US pt	2.4 UK pt
4 pin – 12 bolt axle*			
Differential	11 l	11.6 US qt	21.6 UK pt
Planetary (each)	2.3 l	2.4 US qt	2.0 UK qt
Fuel tank	446 l	118 US gal	98.25 UK gal
DEF/AdBlue® tank	56.8 l	15 US gal	56.8 l (12.5 UK gal)
MFD gearbox	275 ml	9.3 US fl oz	9.7 UK fl oz

* Pin and bolt quantity are determined by observing the wheel ends.



SERVICE MANUAL

HYDRAULIC - PNEUMATIC - ELECTRICAL - ELECTRONIC SYSTEMS



Magnum 180
Magnum 190
Magnum 210

Contents

HYDRAULIC - PNEUMATIC - ELECTRICAL - ELECTRONIC SYSTEMS - A

PRIMARY HYDRAULIC POWER SYSTEM	A.10.A
Magnum 180 , Magnum 190 , Magnum 210	
PRIMARY HYDRAULIC POWER SYSTEM Electro-hydraulic remote valve	A.10.C
Magnum 180 , Magnum 190 , Magnum 210	
ELECTRICAL POWER SYSTEM	A.30.A
Magnum 180 , Magnum 190 , Magnum 210	
ELECTRONIC SYSTEM	A.50.A
Magnum 180 , Magnum 190 , Magnum 210	
FAULT CODES	A.50.A
Magnum 180 [ZARH06086 -] , Magnum 190 [ZARH06086 -] , Magnum 210 [ZARH06086 -]	

<https://caseihservicemanual.com/>



**HYDRAULIC - PNEUMATIC - ELECTRICAL -
ELECTRONIC SYSTEMS - A**

PRIMARY HYDRAULIC POWER SYSTEM - 10.A

<https://caseihservicemanual.com/>

**Magnum 180
Magnum 190
Magnum 210**

Contents

HYDRAULIC - PNEUMATIC - ELECTRICAL - ELECTRONIC SYSTEMS - A

PRIMARY HYDRAULIC POWER SYSTEM - 10.A

TECHNICAL DATA

Charge pump

Torque	5
Magnum 180 Full Powershift Transmission, Magnum 190 Full Powershift Transmission, Magnum 210 Full Powershift Transmission	

Control valve

General specification - Priority valve	6
Magnum 180, Magnum 190, Magnum 210	

FUNCTIONAL DATA

PRIMARY HYDRAULIC POWER SYSTEM

Dynamic description	7
Magnum 180 Full Powershift Transmission, Magnum 190 Full Powershift Transmission, Magnum 210 Full Powershift Transmission	

Hydraulic symbol - Schematic components	13
Magnum 180, Magnum 190, Magnum 210	

Hydraulic symbol - Pressure control	19
Magnum 180, Magnum 190, Magnum 210	

Hydraulic symbol - Directional control	21
Magnum 180, Magnum 190, Magnum 210	

Hydraulic symbol - Composite	22
Magnum 180, Magnum 190, Magnum 210	

Hydraulic symbol - Flow control	25
Magnum 180, Magnum 190, Magnum 210	

Hydraulic symbol - Table of symbols	26
Magnum 180, Magnum 190, Magnum 210	

Power beyond

Component identification	30
Magnum 180, Magnum 190, Magnum 210	

Charge pump

Exploded view	31
Magnum 180, Magnum 190, Magnum 210	

Compensator

Exploded view	32
Magnum 180, Magnum 190, Magnum 210	

Filter

Component identification - Main and charge filter assembly	33
Magnum 180 Full Powershift Transmission, Magnum 190 Full Powershift Transmission, Magnum 210 Full Powershift Transmission	

Diagnostic connector

Component identification	34
Magnum 180, Magnum 190, Magnum 210	

Control valve

Priority/Regulator valve - Component identification - Regulated circuit and accumulators	38
Magnum 180 Full Powershift Transmission, Magnum 190 Full Powershift Transmission, Magnum 210 Full Powershift Transmission	
Exploded view - Priority valve	40
Magnum 180, Magnum 190, Magnum 210	
Hydraulic schema - Priority valve	41
Magnum 180, Magnum 190, Magnum 210	
Dynamic description - Priority valve	42
Magnum 180, Magnum 190, Magnum 210	

SERVICE

Charge pump

Pressure test	48
Magnum 180, Magnum 190, Magnum 210	
Remove	51
Magnum 180, Magnum 190, Magnum 210	
Install	52
Magnum 180, Magnum 190, Magnum 210	

Compensator

Overhaul	56
Magnum 180, Magnum 190, Magnum 210	

Filter

Remove - Transmission main filter	58
Magnum 180, Magnum 190, Magnum 210	
Install Transmission main filter	60
Magnum 180, Magnum 190, Magnum 210	
Remove - Charge or vane pump filter	62
Magnum 180, Magnum 190, Magnum 210	
Install - Charge or vane pump filter	63
Magnum 180, Magnum 190, Magnum 210	
Remove - Main filter assembly	64
Magnum 180, Magnum 190, Magnum 210	
Install - Main filter assembly	66
Magnum 180, Magnum 190, Magnum 210	
Remove - Main hydraulic	68
Magnum 180, Magnum 190, Magnum 210	
Install - Main hydraulic	71
Magnum 180, Magnum 190, Magnum 210	

Oil cooler

Remove	74
Magnum 180, Magnum 190, Magnum 210	
Install	76
Magnum 180, Magnum 190, Magnum 210	

Control valve

Priority/Regulator valve - Remove	78
Magnum 180 Full Powershift Transmission, Magnum 190 Full Powershift Transmission, Magnum 210 Full Powershift Transmission	
Priority/Regulator valve - Disassemble - Priority valve	80
Magnum 180, Magnum 190, Magnum 210	
Priority/Regulator valve - Assemble - Priority valve	81
Magnum 180, Magnum 190, Magnum 210	
Priority/Regulator valve - Install	82
Magnum 180 Full Powershift Transmission, Magnum 190 Full Powershift Transmission, Magnum 210 Full Powershift Transmission	

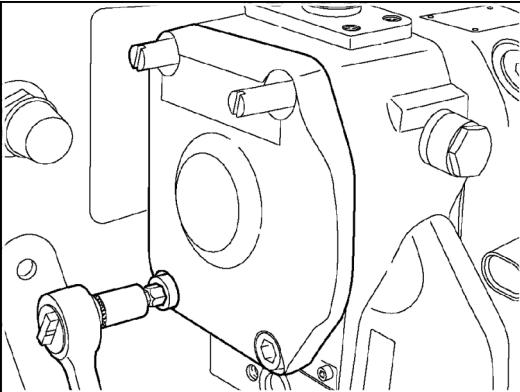
Pressure/flow compensating (PFC) pump

Pressure test - Low pressure standby	84
Magnum 180 Full Powershift Transmission, Magnum 190 Full Powershift Transmission, Magnum 210 Full Powershift Transmission	
Pressure test - High pressure standby test	86
Magnum 180 Full Powershift Transmission, Magnum 190 Full Powershift Transmission, Magnum 210 Full Powershift Transmission	
Flow test	87
Magnum 180 Full Powershift Transmission, Magnum 190 Full Powershift Transmission, Magnum 210 Full Powershift Transmission	
Remove	89
Magnum 180 Full Powershift Transmission, Magnum 190 Full Powershift Transmission, Magnum 210 Full Powershift Transmission	
Install	94
Magnum 180 Full Powershift Transmission, Magnum 190 Full Powershift Transmission, Magnum 210 Full Powershift Transmission	

<https://caseihservicemanual.com/>

Charge pump - Torque

Magnum 180 Full Powershift Transmission, Magnum 190 Full Powershift Transmission, Magnum 210 Full Powershift Transmission

Component	Nm	Identification	lb-ft
Pump retaining bolts	130 N·m	 <p>RCPH09CCH092AAC 1</p>	96 lb ft

<https://caseihservicemanual.com/>

Control valve - General specification - Priority valve

Magnum 180, Magnum 190, Magnum 210

Maximum inlet flow at port P	165 l/min (43.59 US gpm)
Maximum pressure at port P	250 bar (3625.00 psi)
Master priority working pressure	5.8 - 11.6 bar (84.1 - 168.2 psi)
Steering compensator working pressure	12.8 - 17.4 bar (185.6 - 252.3 psi)

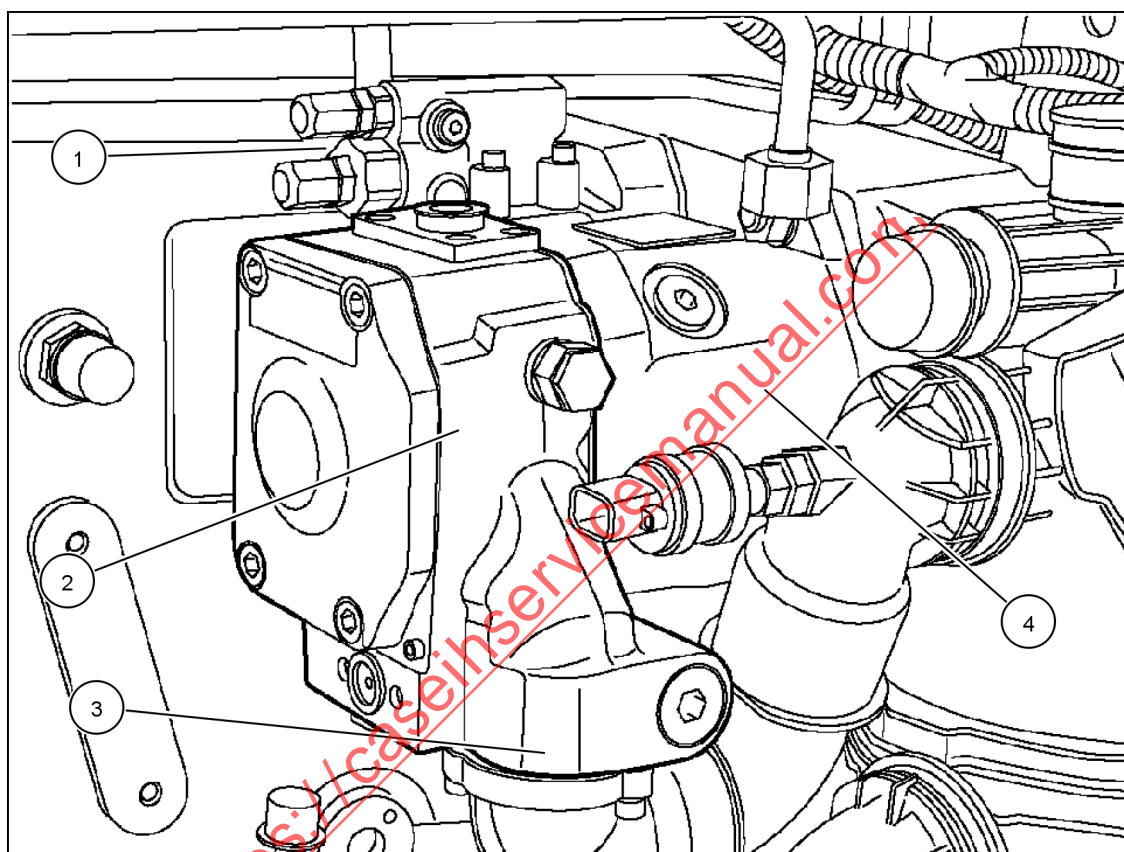
<https://caseihservicemanual.com/>

PRIMARY HYDRAULIC POWER SYSTEM - Dynamic description

Magnum 180 Full Powershift Transmission, Magnum 190 Full Powershift Transmission, Magnum 210 Full Powershift Transmission

The tractor is equipped with three hydraulic pumps, a pressure and flow compensated (PFC) piston pump, charge pump and steering pump. All three pumps are driven through a drive housing on the right side of the transmission. The pump drive housing gears are driven by the PTO drive line. All three pumps turn at approximately 1.21 times engine speed.

The pressure and flow compensated (PFC) piston pump is attached and driven by the rear pump drive. The system charge pump is mounted directly onto the back of the PFC pump. All the charge pump flow passes through the charge filter assembly before delivery through internal passages to the PFC pump inlet.



RCPH09CCH091AAC 1

1. PFC pump compensator	3. Charge pump inlet
2. Charge pump	4. PFC pump

Pressure and flow compensated pump

The pressure and flow compensated (PFC) piston pump has a variable flow output and can operate at variable pressures. The pump will match the hydraulic power output to the actual load requirements to ensure maximum efficiency and minimum use of fuel.

The PFC pump output flow is supplied directly to a flange mounted priority regulator valve. The priority/regulator valve maintains a **2300 kPa (335 psi)** regulated pressure circuit, that receives priority over all other PFC pump supplied circuits.

NOTE: If equipped with hydraulic trailer brakes the optional trailer brake valve is mounted directly onto the priority/regulator valve. Hydraulic trailer brakes receive top priority from PFC piston pump.

The following circuits are supplied by the regulated pressure circuit:

- Mechanical front drive (MFD) solenoid valve
- Differential lock valve solenoid

- PTO and PTO brake solenoids
- Remote valve pilot supply
- Mid mount valves pilot supply (If equipped)
- Creep clutch circuit
- Service brakes and brake booster accumulator

Once these regulated circuits are satisfied the PFC piston pump supplies the following circuits:

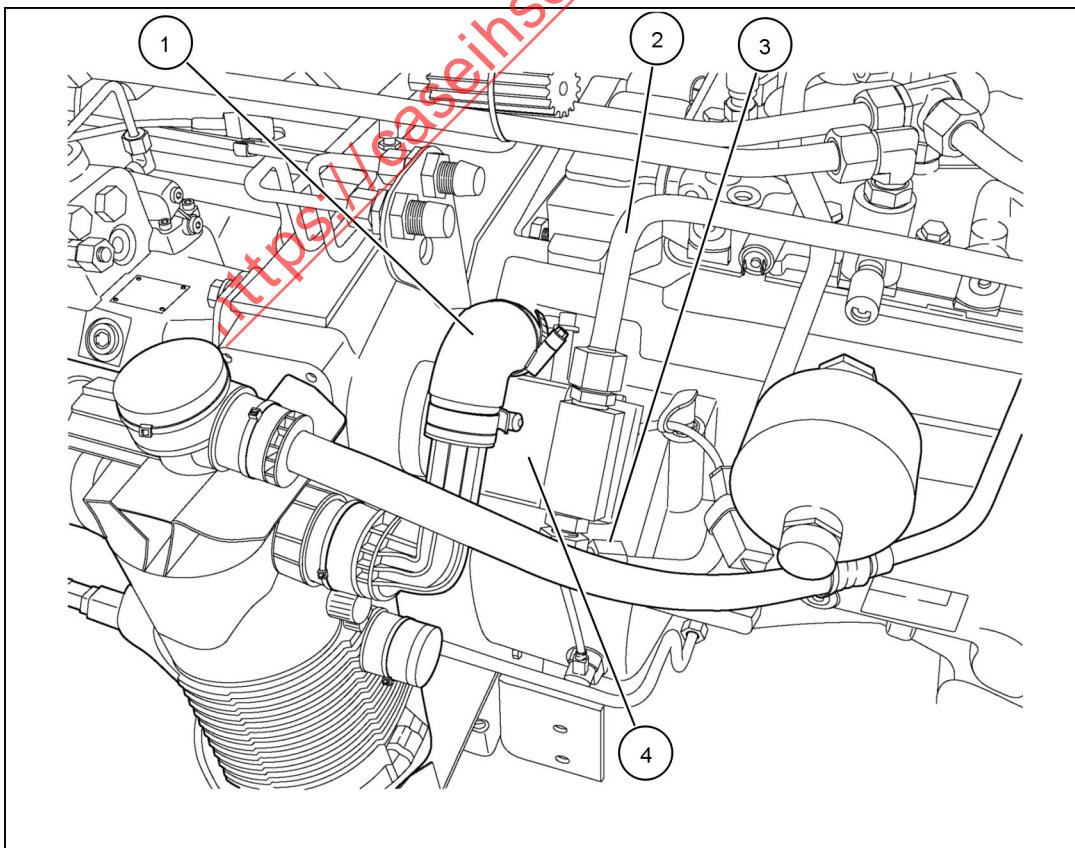
- Remote valves
- Hitch valve
- Mid mount valves
- Suspended axle control valve

Charge Pump

The gerotor type charge pump is mounted on and driven by the PFC piston pump. The charge pump draws oil supply directly from main filter housing. The charge pump housing is equipped with a filter assembly. All the charge pump flow passes through the charge filter assembly before delivery through internal passages to the PFC pump inlet. Any excess charge flow is routed to main filter assembly and is available to the lube circuit. The charge pressure is limited to **300 kPa (45 psi)** by the charge relief check in main filter assembly.

Steering Pump

The steering pump is driven off the front of the pump drive assembly. The pump inlet is directly supplied from the main filter assembly. The steering pump is a gear pump, with a priority flow divider built into outlet. A constant flow of approximately **27.0 l/min (7.0 US gpm)** is always available to the open center steering circuit. The excess flow from the steering pump is routed to the oil cooler. As steering supply oil passes through the steering circuit, this flow joins the excess flow and also passes through the oil cooler. After exiting the oil cooler the oil goes on to lube transmission clutches as well as the PTO clutch.

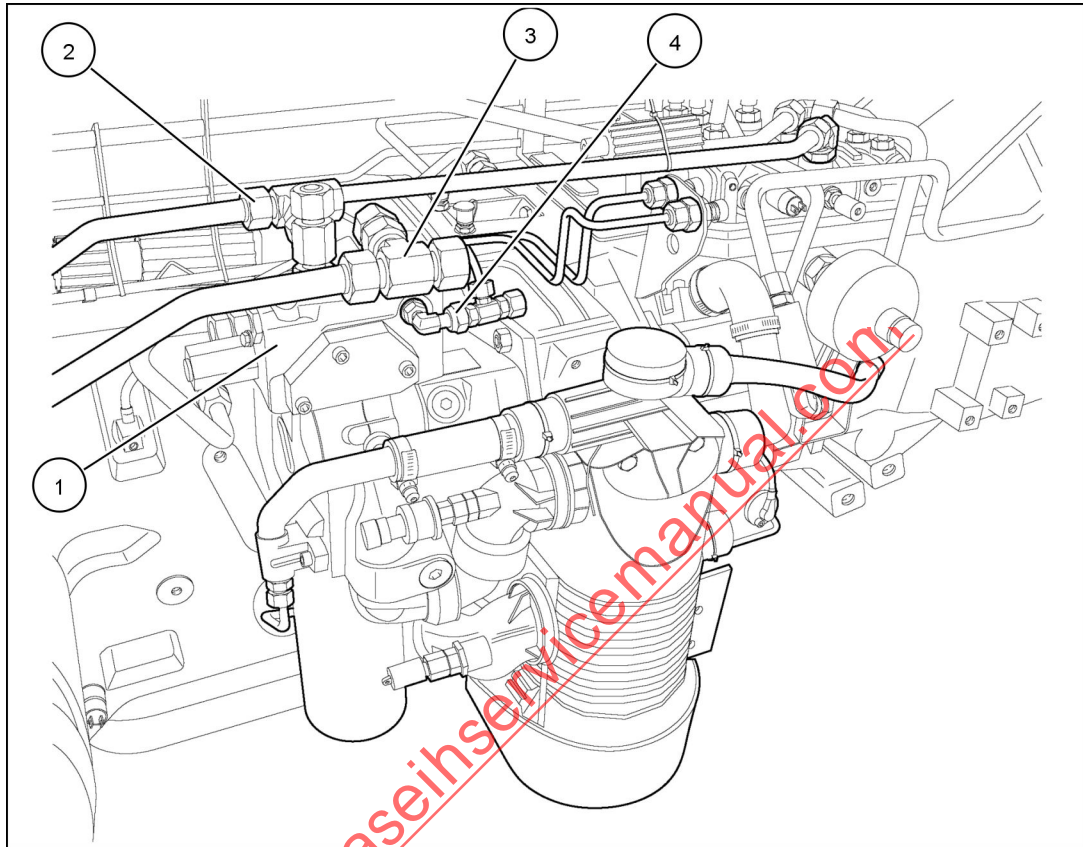


RCPH09CCH001FAE 2

1. Steering pump inlet	3. Excess steering flow to cooler
2. Supply to steering circuit	4. Steering pump

Priority/Regulator Valve

The priority / regulator valve is located on top, right side of the transmission housing. The valve is flange mounted directly onto the PFC piston pump outlet port.



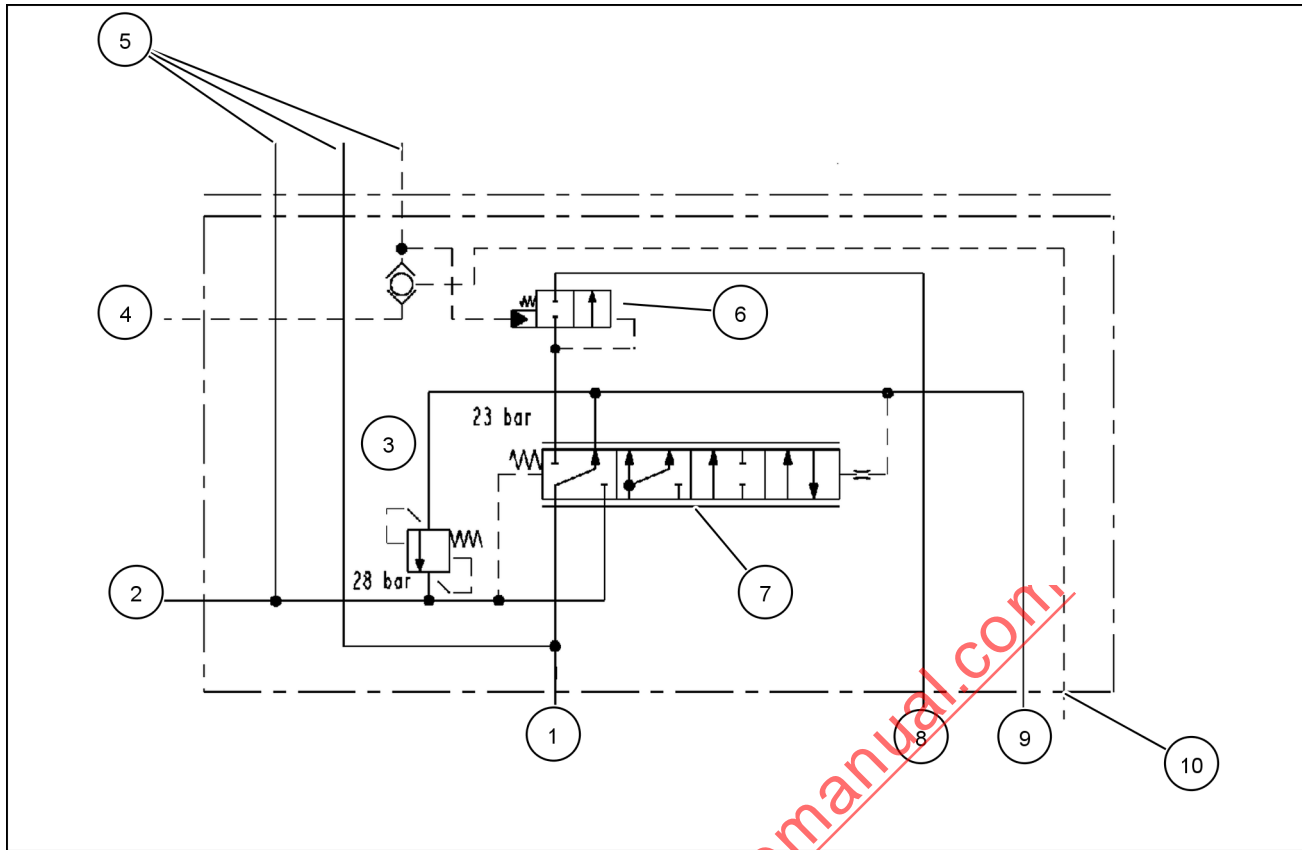
RCPH09CCH010FAE 3

1. Priority/regulator valve	3. Supply to PFC high pressure circuits
2. Regulated pressure supply port	4. Load sense line to compensator

As the PFC piston pump flow enters it flows across the priority/regulator spool and supplies the regulated pressure circuits. As the regulated circuits are satisfied, pressure is regulated to **2300 kPa (335 psi)**. Pilot pressure on the non spring end of the spool overcomes the spring force and the priority regulator valve spool shifts allowing supply flow up to the shutter spool. As pressure builds the shutter spool shifts left allowing supply flow to PFC high pressure circuits. The priority regulator valve spool will always satisfy the regulated circuits supply first and maintain regulated pressure. The regulated pressure circuits are protected by a system relief valve which limits circuit to **2800 kPa (405 psi)**.

The following circuits are supplied by the regulated pressure circuit:

- Mechanical front drive (MFD) solenoid valve
- Differential lock valve solenoid
- PTO and PTO brake solenoids
- Remote valve pilot supply
- Mid mount valves pilot supply (If equipped)
- Creep clutch circuit
- Service brakes and brake booster accumulator



RCIL09CCH025FAE 4

1. Supply from PFC pump	6. Shutter spool
2. Return to tank	7. Priority /regulator spool
3. Regulated pressure relief valve	8. High pressure PFC supply
4. Load sense signal from remotes	9. Regulated pressure supply
5. Trailer brake ports. (Blocked if not equipped)	10. Load sense to PFC pump

If equipped with hydraulic trailer brakes the trailer brake valve is flange mounted on the priority /regulator valve. Trailer brake circuit receives top priority at all times.

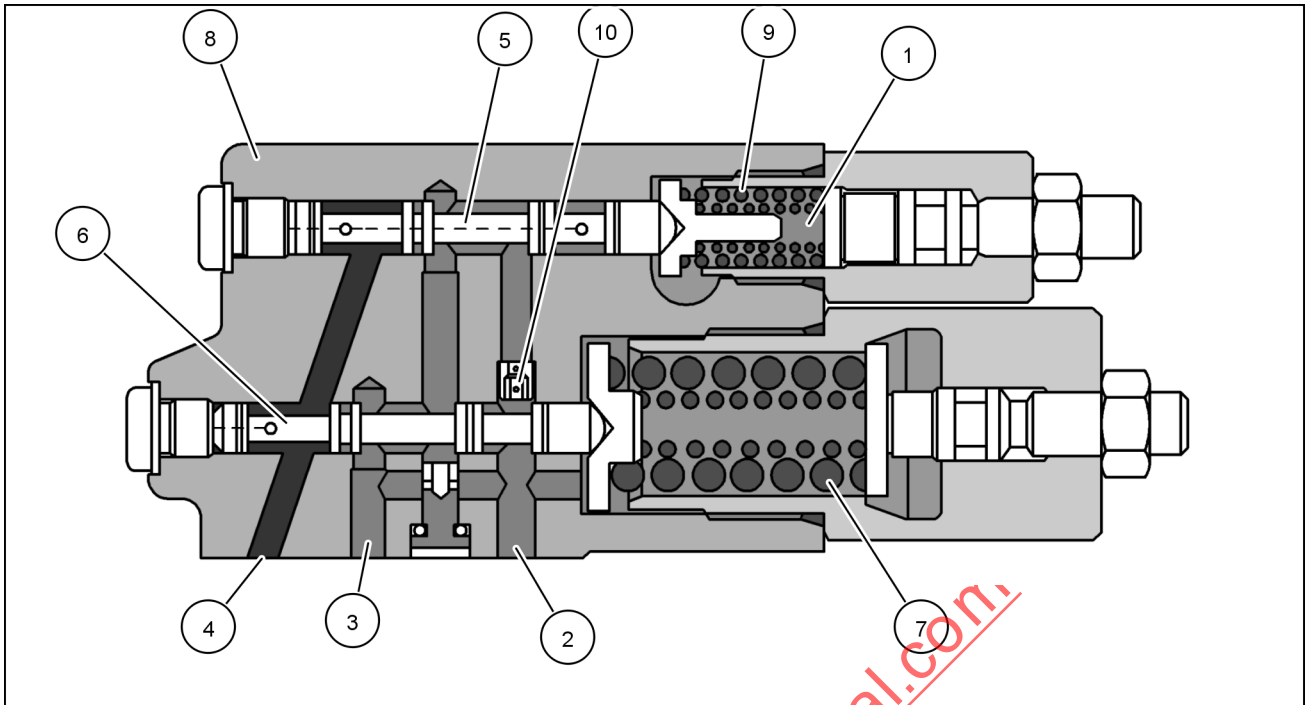
Principle of control for PFC pump

All remote valves, the hitch control valve, the optional trailer brake, optional mid mount valve(s) and optional power beyond circuit contain a signal port. Each signal port directs signal pressure, equal to the working pressure of that circuit, through signal lines and check valves to the pump compensator spool. The compensator angles the pump swash plate to meet system demands.

A check valve is located in each signal line between the control valves and the compensator spool. If several control valves are operated at the same time, the signal line at the highest pressure causes the other check valve(s) at the lower pressures to seat themselves. This prevents signal bleed off through other control valves and ensures that the highest signal pressure acts on the compensator spool.

The pump is designed to operate in two different modes according to the demand for flow and pressure. The modes are:

- Low pressure standby: When there is no demand for flow or pressure, the pump provides just enough flow to make up for internal leakage in the hydraulic system at low pressure. In this mode the pump requires very little power to drive it.
- Pressure/flow delivery and compensation: When there is a demand for flow and pressure from the hydraulic system, the pump responds to provide only the flow required. This limits the power consumption of the system.



RCPH07CCH037FAE 5

Pressure compensator

1. Signal line pressure	6. High pressure compensator spool
2. Pump case drain	7. High pressure spring
3. Control piston pressure	8. Compensator assembly
4. Piston pump outlet pressure	9. Flow compensator springs
5. Flow compensator spool	10. Orifice plug

Low pressure standby

When there is no demand for flow, there is no pressure signal feedback to the pump, and the pump enters low pressure standby mode. Since there is no place for pump oil to flow, pressure builds at the pump outlet passage. This pressure is directed, through internal passages in the pump back plate, to the end of the compensator spool opposite the spring.

The spring acting on the flow compensator spool allows the spool to move at a **2500 - 2700 kPa (360 - 390 psi)** differential pressure. At this pressure, the flow compensator spool moves down and allows oil to flow into the passage to the pump control piston.

Pressure on this control piston tilts the pump swash plate against the swash plate control spring to a near neutral position. In this condition, the pump provides just enough flow to make up for internal leakage, thus maintaining a minimum system pressure of **2500 - 2700 kPa (360 - 390 psi)**.

The pump remains in the low pressure standby position as long as there is no pressure or flow demand from the hydraulic system. In this mode, the pump produces very little heat and absorbs very little horsepower from the engine.

Engine Start Up

Before the engine is started, the pump swash plate angle is at its maximum angle. As soon as the engine is cranked by the starter motor, the pressure and flow compensating (PFC) pump produces flow and pressure builds in the pump delivery passage. When this pressure reaches **2500 - 2700 kPa (360 - 390 psi)** the pump enters its low pressure standby mode. This occurs almost instantly and makes engine starting easier.

Pressure/flow delivery and compensation

When oil is required in the system, flow is controlled by the difference in pressure at opposite ends of the compensator spool.